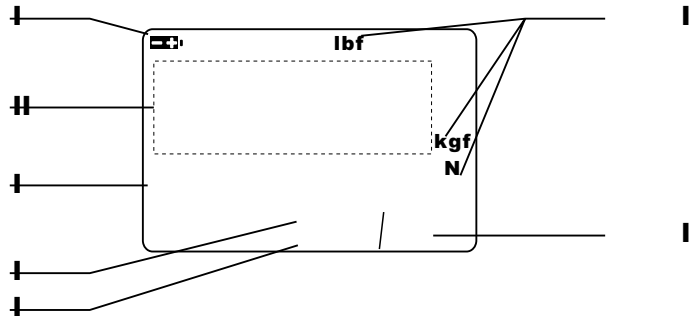


4.2 显示器



" "

" "

" - "

" + "

" "

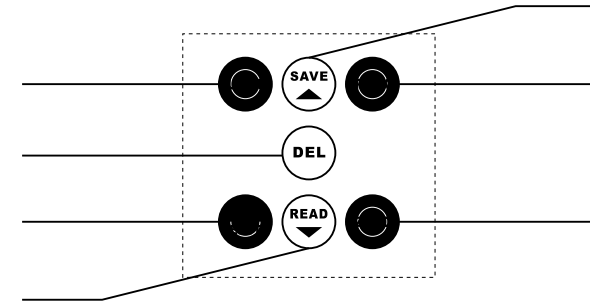
" "

" "

示屏显示的是峰值；
屏幕显示的数值随负

" " " " " "

4.3 操作按键



0

)

/ ()

/ ()

4-21 保存/加键 (SAVE/▲)

()

()

5. 仪器的开机和关机

5.1 仪器的开机

/

5.2 仪器的关机

测型计型拉推

/